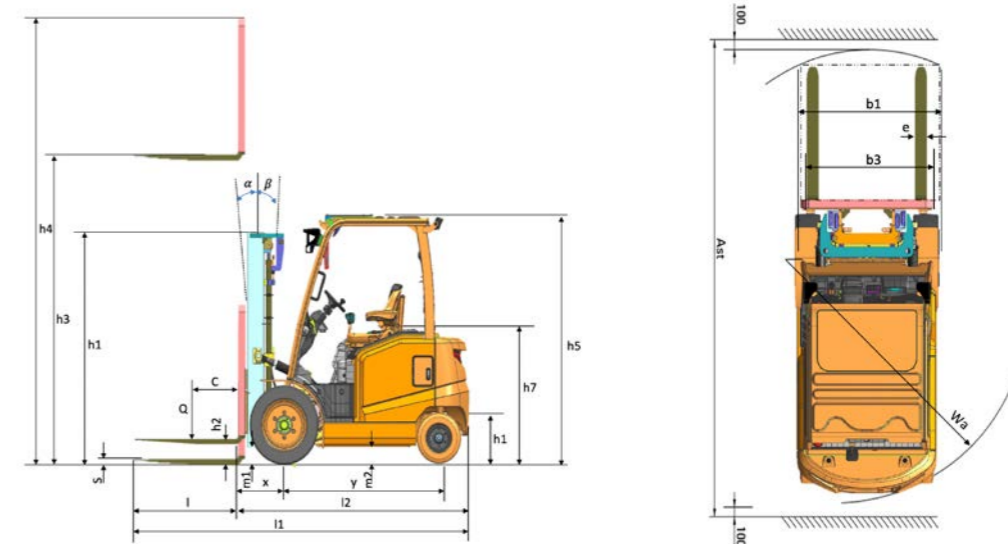


25/30/35 BE-X SPECIFICATIONS

IDENTIFICATION				
	Manufacturer		Hyundai	
	Manufacturer's type designation		25BE-X	30BE-X
1.1	Drive		Electric-48V	Electric-80V
1.2	Type Of Operation		seated	seated
1.3	Load Capacity / Rated Load	kg	2500	3000
1.4	Load Center Distance	mm	500	500
1.5	Load Distance, Center Of Drive Axle To Fork	mm	473	473
1.6	Wheelbase	mm	1490	1680
WEIGHTS				
2.1	Service Weight	Kg	4484	4947
2.2	Axle Loading, Loaded Front/Rear	Kg	6107/877	7020/927
2.3	Axle Loading, Unloaded Front/Rear	kg	1974/2510	2282/2665
WHEELS, CHASSIS				
3.1	Tires: Solid Rubber, Pneumatic, Non Marking		SP	SP
3.2	Tire Size, Front		28x9-15/-16	28x9-15
3.3	Tire Size, Rear		18x7-8/-16	200/50-10
3.5	Wheels, Number Front / Rear		2x/2	2x/2
3.6	Tread, Front	b10 (mm)	1005	1005
3.7	Tread, Rear	b11 (mm)	996	996
BASIC DIMENSIONS				
4.1	Tilt Of Mast Forward/Backward	Degrees	6/10	6/10
4.2	Height, Mast Lowered	H1 (mm)	2040	2040
4.3	Free Lift	H2 (mm)	150	150
4.4	Lift Height	H3 (mm)	3005	3005
4.5	Height, Mast Extended	H4 (mm)	4185	4185
4.7	Height Of Overhead Guard (Cabin)	H5 (mm)	2175	2175
4.8	Seat Height / Stand Height Rel. To Sip	H7 (mm)	1200	1200
4.12	Coupling Height	H10 (mm)	480	480
4.19	Overall Length	l1 (mm)	3410	3600
4.20	Length To Face Of Forks	L2 (mm)	2360	2553
4.21	Overall Width	b1 (mm)	1215	1215
4.22	Fork Dimensions	l x e x s (mm)	45x100x1050	45x125x1050
4.23	Fork Carriage Iso 2328, Class / Type A, B		II/A	III/A
4.24	Fork-Carriage Width	b3 (mm)	1102	1102
4.31	Ground Clearance, Below Mast, Loaded	m1 (mm)	142	142
4.32	Ground Clearance, Center Of Wheelbase	M2 (mm)	160	160
4.34.1	Aisle Width For Pallets 1000 X 1200 Crossways	Ast (mm)	3858	4060
4.34.2	Aisle Width For Pallets 800 X 1200 Lengthways	Ast (mm)	4008	4210
4.35	Turning Radius	Wa (mm)	2135	2337
PERFORMANCE DATA				
5.1	Travel Speed, Loaded / Unloaded	Km/h	14/15	14/15
5.2	Lift Speed, Loaded / Unloaded	Mm/s	300/450	300/450
5.3	Lowering Speed, Loaded / Unloaded	Mm/s	500/350	500/350
5.6	Max. Drawbar Pull, Loaded / Unloaded	N	13328/-	14210/-
5.8	Max. Gradeability, Loaded / Unloaded	%	15	15
5.10	Service Brake		Drum brake	Drum brake
MOTOR / BATTERY				
6.1	Drive Motor Rating S2 60 Min	kW	10	14
6.2	Lift Motor Rating At S3 15%	kW	14	16.5
6.4	Battery Voltage, Nominal Capacity (Opt)	V/Ah	48/600(660)	80/500(550)
6.5	Battery Weight	kg	950	1295
6.7	Battery Compartment Dimensions L/W/H	mm	984x466x744	984x660x744
OTHER DETAILS				
8.1	Type Of Drive Control		AC	AC
8.2	Operating Pressure, System / Attachments	bar	190/130	190/130
8.3	Oil Volume For Attachments	LPM	40	40

25/30/35 BE-X DIMENSIONS

DIMENSIONS



25/30/35 BE-X MAST SPECIFICATION

25BE-X MAST

Mast Type	Maximum Fork Height (mm)	Overall Height (Lowered) (mm)	Free Lift Height (mm)			Mast Tilt (deg)		Load capacity without Sideshift 500mm LC	Truck Weight (Unloaded) (kg) 500mm LC	Truck Weight (Unloaded) (kg)	
			With Load Backrest	Without Load Backrest	Without Load Backrest (3/4-SPOOL)	FWD	BWD				
2 Stage Limited Free Lift	V300	3005	2040	155	155	155	6	10	2500	2500	4484
	V330	3305	2190	155	155	155	6	10	2500	2460	4508
	V400	4005	2590	155	155	155	6	10	2460	2320	4580
	V450	4505	2890	155	155	155	6	6	2350	2230	4651
2 Stage Full Free Lift	V500	5005	3140	155	155	155	6	6	2260	2140	4693
	VF295	2955	2040	860	1314	1314	6	6	2500	2500	4526
	VF325	3255	2190	1010	1464	1464	6	6	2500	2450	4560
	VF345	3455	2290	1110	1564	1564	6	6	2500	2410	4583
3 Stage Full Free Lift	TF430	4305	2040	860	1314	1175	6	6	2370	2240	4671
	TF450	4505	2140	960	1414	1325	6	6	2330	2200	4692
	TF470	4705	2190	1010	1464	1325	6	6	2290	2170	4705
	TF500	5005	2290	1110	1564	1425	6	6	2240	2120	4727
	TF550	5505	2490	1310	1764	1780	6	6	2150	2030	4773
	TF600	6005	2690	1510	1964	1875	6	6	2050	1940	4865

V: 2 Stage wide visibility lift mast / VF: 2 Stage wide visibility full free lift mast / TF: Triplex full free lift mast

*: Standard